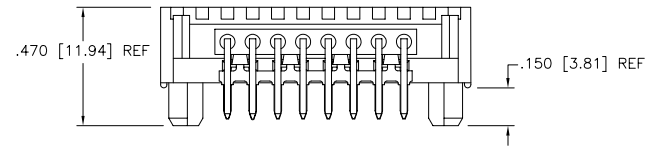
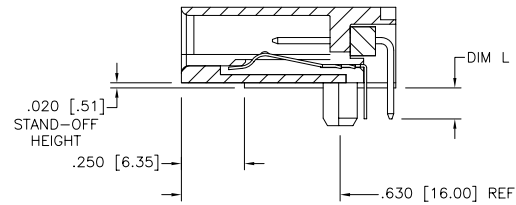
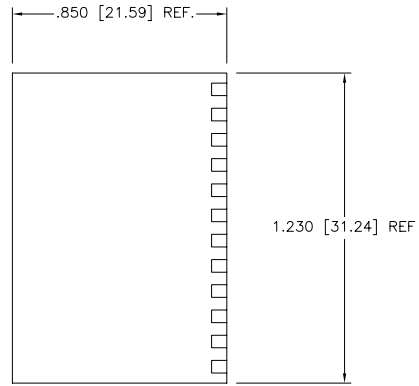


PRODUCT NUMBER
SEE TABLE



mat'l. code		surface ISO 1302 ✓		tolerance ISO 406 ISO 1101		projection ⊕		product family LATCH-N-LOK	
ltr		ecn no		date		tolerances unless otherwise specified		title	
A		JRL	7/17/90	angles	linear	.XX±.01/.3	INCH/MM	1X8 LNL RIGHT ANGLE HEADER ASSEMBLY	
B	V01017	TFG	5/12/00	0'±2'		.xxx±.005/.13		scale 1:1	dwg no 69913
C	V10985	TFG	2/13/01			.xxxx±.0020/.051		sheet 1 of 2 size A3	
D	M04-0230	MHT	12/8/04	dr	J. LINN	7/17/90	FCJ	type Product Customer Drawing	
E	M05-0052	ERE	3/19/05	engr	D. HORCHLER	7/17/90			
F	M06-0285	AGS	7/28/06	chr	D. HORCHLER	7/17/90			
G	M06-0365	AGS	9/20/06	appd	D. HORCHLER	7/17/90			
sheet index	revision	G	G						
	sheet	1	2						

FCJ
FCIconnect.com

Copyright FCI

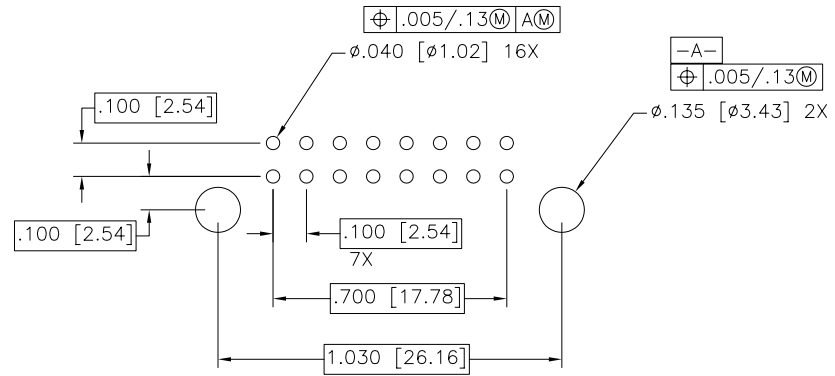
69913-XXXLF

LEAD FREE OPTION (6) (8)

COLOR (4)	
1	70343 LT GRAY OBS
2	80166 OFF WHITE OBS
3	70634 DK GRAY OBS
4	701 BLACK OBS
5	70541 SLATE GRAY OBS
7	70455 SILVER GRAY OBS
8	80189 PEARL WHITE OBS
9	70419 PEBBLE GRAY OBS

PLATING (9)	
0	30u" GXT
3	30u" AU OVER 50u" NI
5	50u" AU OVER 50u" NI

PIN LENGTH	
	DIM L
0	1.50/3.18
1	.110/2.79



RECOMMENDED PCB LAYOUT

NOTES:

- HEADER SHROUD MAT'L: POLYCARBONATE.
- GROUND CONTACT
MAT'L: COPPER ALLOY
PLATING: 100-160u"/2.54-4.06u" TIN.
- SIGNAL CONTACT
MAT'L: COPPER ALLOY
PLATING: SEE TABLE
- (4) NUMBERS SHOWN ARE FOR G.E. LEXAN AND ARE FOR REFERENCE ONLY.
- (5) THIS ASSEMBLY U.L. APPROVED PER FILE E66906 VOL. 1, SEC. 84 AND CSA APPROVED PER MASTER FILE LR46923
- (6) ADD LF SUFFIX AT THE END OF PART NUMBER FOR LEAD FREE OPTION.
- THE HOUSING WILL WITHSTAND EXPOSURE TO 260°C PEAK TEMPERATURE FOR 15 SECONDS IN A WAVE SOLDER APPLICATION WITH A 1.5mm MINIMUM THICK CIRCUIT BOARD. SEE APPLICATION NOTES/PROCEDURES IF THEY ARE AVAILABLE.
- (8) THIS PRODUCT MEETS EUROPEAN UNION DIRECTIVES AND OTHER COUNTRY REGULATION AS DESCRIBED IN GS-22-008.
- (9) PLATING OPTIONS:
MAY BE EITHER GOLD OR GXT PLATED AT MANUFACTURER'S OPTION.



Copyright FCI

mat'l. code		surface ISO 1302 ✓		tolerance ISO 406 ISO 1101		projection INCH/MM		product family LATCH-N-LOK		
ltr	ecn	no	dr	date		tolerances unless otherwise specified		title		
G						angles	linear	1X8 LNL RIGHT ANGLE HEADER ASSEMBLY		
						0°±2'	.XX±.01/.3 .XXX±.005/.13 .XXXX±.0020/.051	scale 1:1		
				dr		J. LINN 7/17/90		dwg no		
				engr		D. HORCHLER 7/17/90		sheet 2 of 2 size		
				chr		D. HORCHLER 7/17/90		69913 A3		
				appd		D. HORCHLER 7/17/90		type Product Customer Drawing		
sheet index	revision sheet									